

**RANGE SUMMARY**

By combining proprietary high rate plate design with low internal resistance AGM separators, BSB created the innovative High Rate range of batteries. This range offers extremely high power output at 15 minutes backup time with 12 years design life and is highly suited to high rate UPS and power switchgear applications.

**Application**

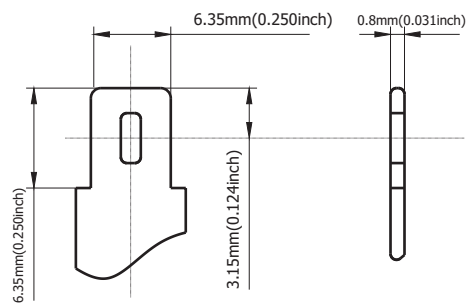
- Alarm System
- Cable Television
- Communication Equipment
- Control Equipment
- Security System
- Medical Equipment
- Toys
- UPS
- Emergency Power System

**General Features**

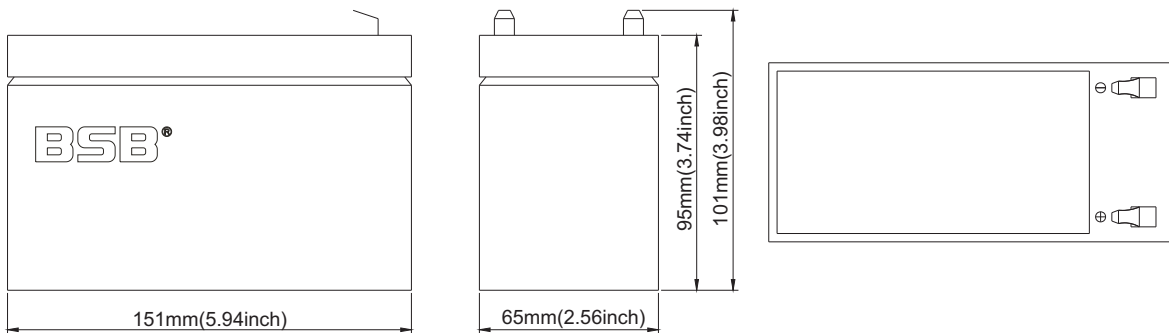
- Sealed and maintenance free operation.
- Non-Spillable construction design.
- ABS containers and covers(UL94 V0, optional).
- Safety valve installation for explosion proof.
- High quality and high reliability.
- Exceptional deep discharge recovery performance.
- Low self discharge characteristic.
- Flexible design for multiple installation positions.

**Construction**

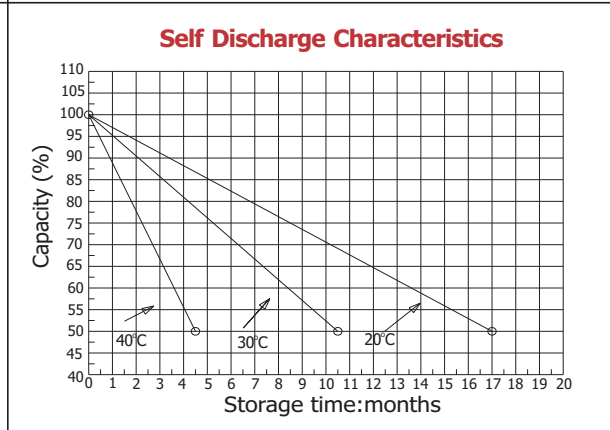
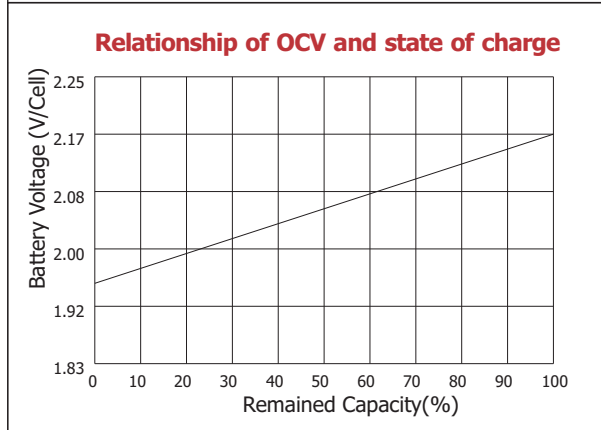
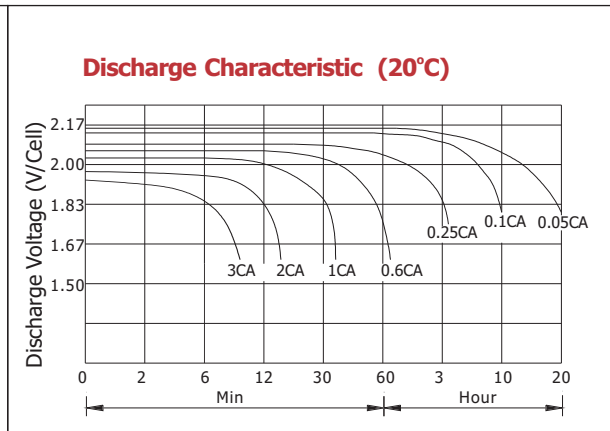
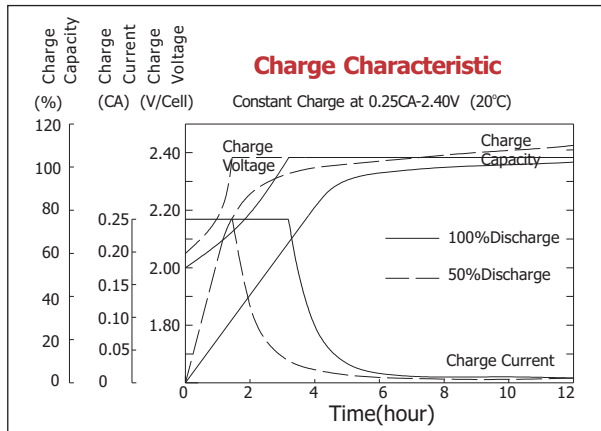
- Positive ..... Lead dioxide
- Negative ..... Lead
- Container ..... ABS
- Cover ..... ABS
- Sealant ..... Epoxy Resin
- Safety valve ..... EPDR
- Terminal ..... Copper
- Separator ..... AGM
- Electrolyte ..... Sulfuric acid



**Terminal Dimensions**



Battery Model	HR12-36W			
Designed Floating Life	12 Years			
Capacity(20°C,at 1.67Vpc)	10min	15min	30min	1h
	46.6Wpc	36Wpc	21.5Wpc	10.8Wpc
Dimensions	Length	Width	Height	Total Height
	151mm(5.94inch)	65mm(2.56inch)	95mm(3.74inch)	101mm(3.78inch)
Approx. Weight	2.7 Kg (5.95 lbs)			
Internal Resistance	Full charged at 20°C: 0.018 Ohm			
Self Discharge	3% of capacity declined per month at (20°C)			
Capacity Affected by Temp.(20HR)	40°C	25°C	0°C	-15°C
	109%	100%	85%	65%
Charge Voltage(20°C)	Cycle use		Float use	
	14.4-14.8V(-30mV/ °C), max. Current: 2.7A		13.6-13.8V(-18mV/ °C)	



**Constant current discharge ratings-amperes at 20°C**

F.V/Time	5min	10min	15min	30min	45min	1h	1.5h	2h	3h
1.60V	42.5	26.5	20.0	12.2	8.09	6.04	4.35	3.50	2.65
1.67V	39.9	25.1	19.2	11.6	7.86	5.96	4.26	3.40	2.55
1.70V	36.6	24.2	18.8	10.6	7.38	5.78	4.08	3.23	2.38
1.75V	35.9	23.4	18.2	10.1	7.02	5.51	3.90	3.10	2.30
1.80V	32.1	22.4	16.5	9.32	6.54	5.16	3.68	2.95	2.21
1.85V	28.3	21.3	14.8	8.58	6.06	4.81	3.47	2.80	2.13

**Constant power discharge ratings-watts at 20°C**

F.V/Time	5min	10min	15min	30min	45min	1h	1.5h	2h	3h
1.60V	74.6	47.8	36.5	21.9	14.6	10.9	2.93	6.25	4.70
1.67V	72.0	46.6	36.0	21.5	14.4	10.8	2.89	6.13	4.56
1.70V	67.8	46.1	35.7	20.1	13.8	10.6	2.81	5.92	4.35
1.75V	65.2	45.8	35.4	19.5	13.5	10.4	2.76	5.80	4.25
1.80V	62.4	45.3	32.8	18.6	12.8	9.85	2.62	5.56	4.13
1.85V	56.6	43.0	29.8	17.4	12.0	9.26	2.49	5.32	4.00

