



**Design Life
15 Years!**

EUROPOWER

Sealed lead-acid cells EXL type

EXL-500

● Characteristic

EUROPOWER cells are made in AGM technology, constructed by plates, separators, safety valves and container. Since the electrolyte is held by a glass-mat separator and plates, batteries can use in any direction without leakage.

Maintenance free operation, no need to fill in water.

EXL type cells have been designed for standby use, with **15 years** designed life.

● Specification & Characteristics

Model		EXL-500
Nominal voltage		2 [V]
Rated capacity		500 [Ah] / 10 [h]
Dimensions	Height	366 [mm]
	Length	241 [mm]
	Width	172 [mm]
Weight		~ 36 [kg]
Internal resistance		< 1 [m]
Capacity 25 [°C]	0 [h]	500 [Ah]
	5 [h]	400 [Ah]
	1 [h]	325 [Ah]
Max. Discharge current		2200 [A] (5 [s])
Charging voltage 25 [°C]	Standby use	2,23 [V/cell] (-3 [mV/°C/cell])
Recommended charging current		50 [A]
Max. Charging current		100 [A]

● Typical applications:

- DC telecom power supply systems,
- central offices,
- uninterruptible power supply (UPS),
- emergency lighting systems.

ENERGETICS

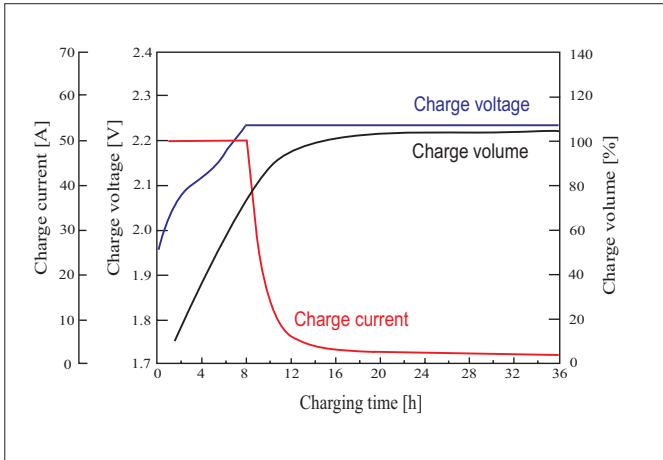
TELECOM

INDUSTRY

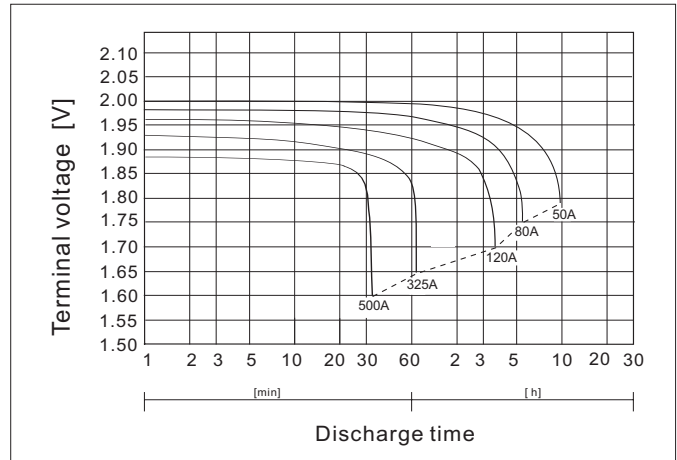


Mark	Type	Date of issue	Change number	Date of change
EUROPOWER	EXL-500	19.11.2004	0	-

● Battery charging characteristics



● Discharge characteristics

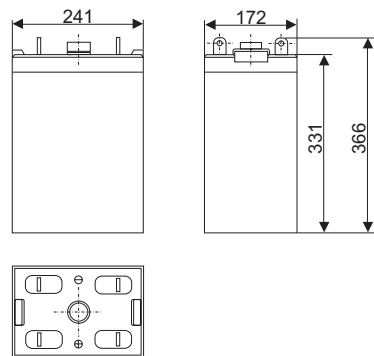


● Constant power discharge characteristics (Power [W/cell], 25 [°C])

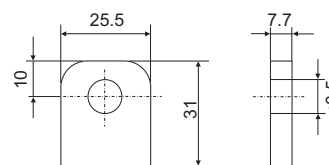
Final discharge voltage [V/cell]	Discharge time										
	30 min	1 h	2 h	3 h	4 h	5 h	6 h	8 h	10 h	12 h	20 h
1,80	728	494	271	236,6	189,6	164,2	142,9	118,5	100,4	79,3	49,5
1,70	876	562	306	256	204,8	176,5	152,5	125,7	107,1	80,3	50,2
1,60	946	583	317	265,2	212,9	181,6	156,9	128,8	109,2	81,9	51,2



● Dimensions [mm]



● Terminal Type [mm]



[M8 Bolt + Nut]