



**Design Life  
15 Years!**

# EUROPOWER

Sealed lead-acid cells EXL type

# EXL-200

## ● Characteristic

EUROPOWER cells are made in AGM technology, constructed by plates, separators, safety valves and container. Since the electrolyte is held by a glass-mat separator and plates, batteries can use in any direction without leakage.

Maintenance free operation, no need to fill in water.

**EXL** type cells have been designed for standby use, with **15 years** designed life.

## ● Specification & Characteristics

Model		EXL-200
Nominal voltage		2 [V]
Rated capacity		200 [Ah] / 10 [h]
Dimensions	Height	365 [mm]
	Length	173 [mm]
	Width	111 [mm]
Weight		~ 15 [kg]
Internal resistance		< 1 [m]
Capacity 25 [°C]	0 [h]	200 [Ah]
	5 [h]	160 [Ah]
	1 [h]	130 [Ah]
Max. Discharge current		900 [A] (5 [s])
Charging voltage 25 [°C]	Standby use	2,23 [V/cell] (-3 [mV/°C/cell])
Recommended charging current		20 [A]
Max. Charging current		40 [A]

## ● Typical applications:

- DC telecom power supply systems,
- central offices,
- uninterruptible power supply (UPS),
- emergency lighting systems.

## ENERGETICS

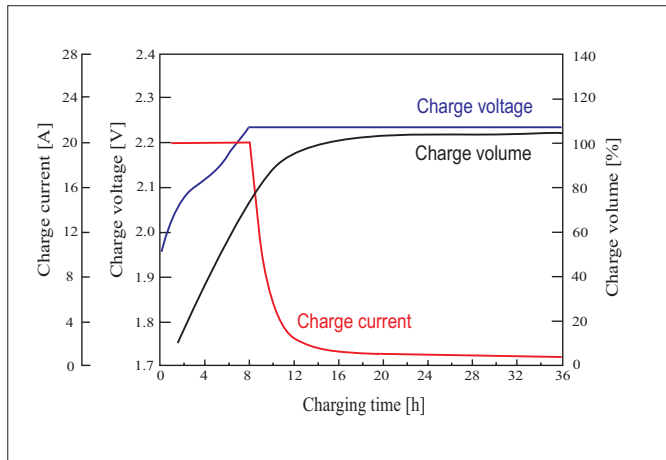
## TELECOM

## INDUSTRY

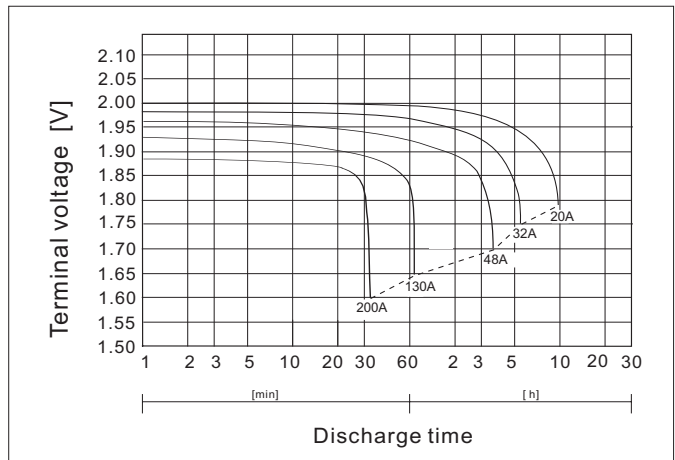


Mark	Type	Date of issue	Change number	Date of change
<b>EUROPOWER</b>	<b>EXL-200</b>	<b>19.11.2004</b>	<b>0</b>	<b>-</b>

## ● Battery charging characteristics



## ● Discharge characteristics

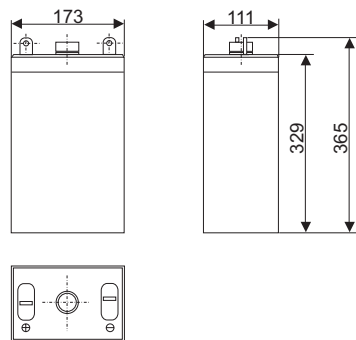


## ● Constant power discharge characteristics (Power [W/cell], 25 [°C])

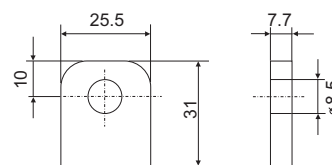
Final discharge voltage [V/cell]	Discharge time										
	30 min	1 h	2 h	3 h	4 h	5 h	6 h	8 h	10 h	12 h	20 h
1,80	291	198	109	94,6	75,8	65,8	57,3	47,6	39,1	30,9	19,3
1,70	350	224	122	103	82,4	70,5	60,9	50,1	42,7	32	20
1,60	379	233	127	106,1	85,2	72,5	62,6	51,4	43,5	32,6	20,4



## ● Dimensions [mm]



## ● Terminal Type [mm]



[M8 Bolt + Nut]