

Design Life
10 Years!



EUROPOWER

Sealed lead-acid battery EPL type

EPL 155-12FT

● Characteristic

EUROPOWER batteries are made in AGM technology, constructed by plates, separators, safety valves and container. Since the electrolyte is held by a glass-mat separator and plates, batteries can use in any direction without leakage.

EPL type batteries have been designed for standby use, with **10 years** designed life.

Front terminal connections for fast and easy installation and maintenance.

Battery design allows for 48VDC configuration in a standard 19" and 23" rack.

● Specification & Characteristics

Model		EPL 155-12FT
Nominal voltage		12 [V]
Rated capacity		155 [Ah] / 8 [h]
Dimensions	Height	290 [mm]
	Length	560 [mm]
	Width	125 [mm]
Weight		~ 55.4 [kg]
Internal resistance		< 2.8 [m]
Capacity 25 [°C]	0 [h]	159 [Ah]
	8 [h]	155 [Ah]
	1 [h]	102.1 [Ah]
Max. Discharge current		1085 [A] (5 [s])
Charging voltage 20 [°C]	Standby use	13,5 to 13,8 [V]
	Cycle use	14,5 to 15,0 [V]
Recommended charging current		15.5 [A]
Max. Charging current		46.5 [A]

● Typical applications:

- DC telecom power supply systems
- GSM base stations

ENERGETICS

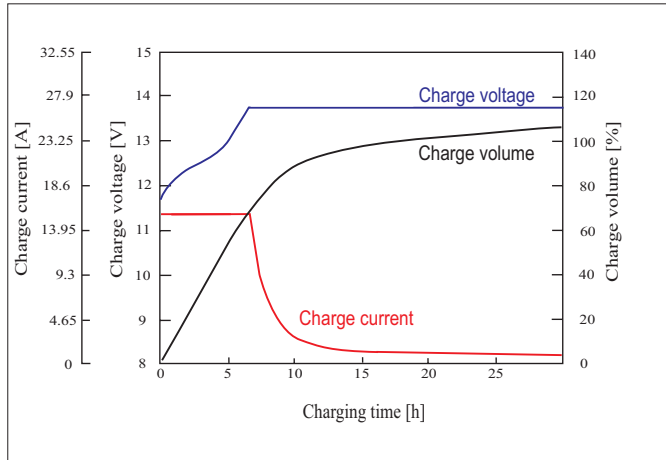
TELECOM

INDUSTRY

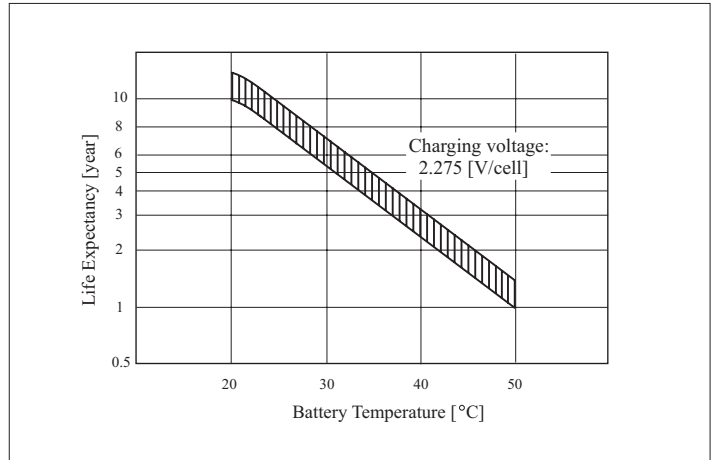


Mark	Type	Date of issue	Change number	Date of change
EUROPOWER	EPL 155-12FT	19.11.2004	0	-

● Battery charging characteristics



● Effect of temp. on long term float life



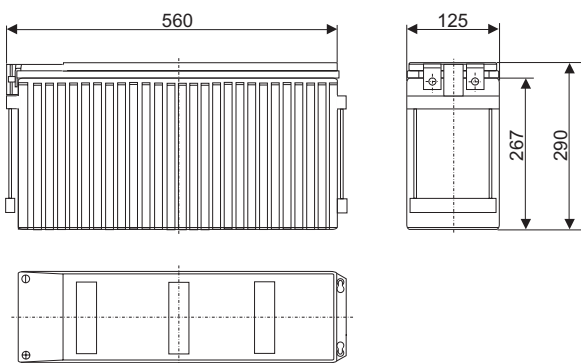
● Constant current discharge data (Current [A], 25 [°C])

Final discharge voltage [V/cell]	Discharge time												
	1 h	2 h	3 h	4 h	5 h	6 h	8 h	10 h	12 h	20 h	24 h	72 h	100 h
1,90	84,8	53,3	38,3	30,2	24,9	21,5	17,1	14,0	11,9	7,56	6,36	2,15	1,56
1,85	94,4	58,7	41,9	32,9	27,2	23,5	18,9	15,2	12,9	8,22	6,94	2,35	1,70
1,80	99,7	61,0	43,4	34,0	28,2	24,3	19,1	15,7	13,4	8,51	7,17	2,44	1,77
1,75	102,1	62,2	44,0	34,6	28,6	24,6	19,4	15,9	13,6	8,65	7,28	2,48	1,81
1,70	103,7	62,8	44,4	34,9	28,7	24,7	19,4	15,9	13,6	8,65	7,28	2,48	1,81
1,65	105,1	63,3	44,8	35,2	28,8	24,9	19,4	15,9	13,6	8,65	7,28	2,48	1,81

● Constant power discharge data (Power [W/cell], 25 [°C])

Final discharge voltage [V/cell]	Discharge time												
	1 h	2 h	3 h	4 h	5 h	6 h	8 h	10 h	12 h	20 h	24 h	72 h	100 h
1,90	161,1	105,2	76,3	60,3	49,8	43,0	34,1	28,0	23,8	15,1	12,7	4,30	3,13
1,85	184,9	115,8	83,4	65,7	54,2	47,0	35,9	30,4	25,9	16,4	13,9	4,69	3,41
1,80	195,3	120,5	86,4	67,9	55,8	48,6	38,0	31,5	26,7	17,0	14,3	4,87	3,55
1,75	200,0	122,9	87,7	69,2	57,0	49,2	38,6	31,8	27,2	17,3	14,6	4,97	3,62
1,70	203,1	124,0	88,5	69,8	57,2	49,4	38,6	31,8	27,2	17,3	14,6	4,97	3,62
1,65	205,8	125,0	89,3	70,4	57,4	49,8	38,6	31,8	27,2	17,3	14,6	4,97	3,62

● Dimensions [mm]



● Terminal Type [mm]

