

Over 12 years  
Design Life!



# EUROPOWER

Sealed lead-acid battery EPL type

# EPL 100-12FT

## ● Characteristic

EUROPOWER batteries are made in AGM technology, constructed by plates, separators, safety valves and container. Since the electrolyte is held by a glass-mat separator and plates, batteries can use in any direction without leakage. **EPL FT** type batteries have been designed for standby use, with over **12 years** designed life according to Eurobat. Front terminal connections for fast and easy installation and maintenance. Battery design allows for 48VDC configuration in a standard 19" and 23" rack.

## ● Specification & Characteristics

|                                |                |                  |
|--------------------------------|----------------|------------------|
| Model                          |                | EPL 100-12FT     |
| Nominal voltage                |                | 12 [V]           |
| Rated capacity                 |                | 100 [Ah] / 8 [h] |
| Dimensions                     | Height         | 285 [mm]         |
|                                | Length         | 394 [mm]         |
|                                | Width          | 110 [mm]         |
| Weight                         |                | ~ 36.8 [kg]      |
| Internal resistance            |                | < 3.5 [mΩ]       |
| Capacity<br>25 [°C]            | 10 [h]         | 101.5 [Ah]       |
|                                | 8 [h]          | 100.0 [Ah]       |
|                                | 1 [h]          | 66.0 [Ah]        |
| Max. Discharge current         |                | 700 [A] (5 [s])  |
| Charging<br>voltage<br>20 [°C] | Standby<br>use | 13,5 to 13,8 [V] |
|                                | Cycle<br>use   | 14,5 to 15,0 [V] |
| Recommended charging current   |                | 10 [A]           |
| Max. Charging current          |                | 30 [A]           |

## ● Typical applications:

- DC telecom power supply systems
- Telecommunication PABX
- GSM base stations
- Emergency Lighting Systems
- UPS

## ENERGETICS

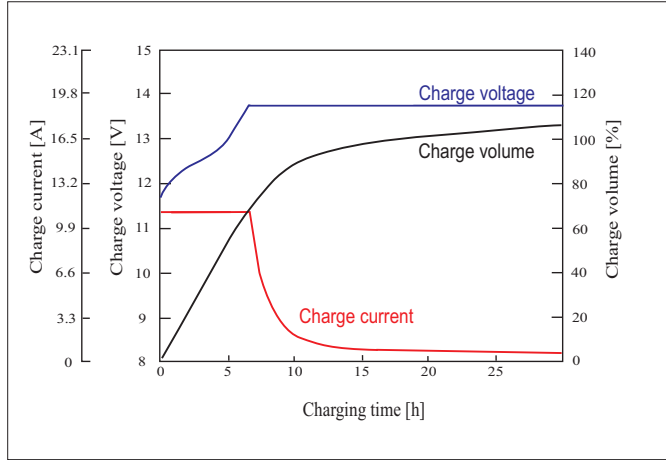
## TELECOM

## INDUSTRY

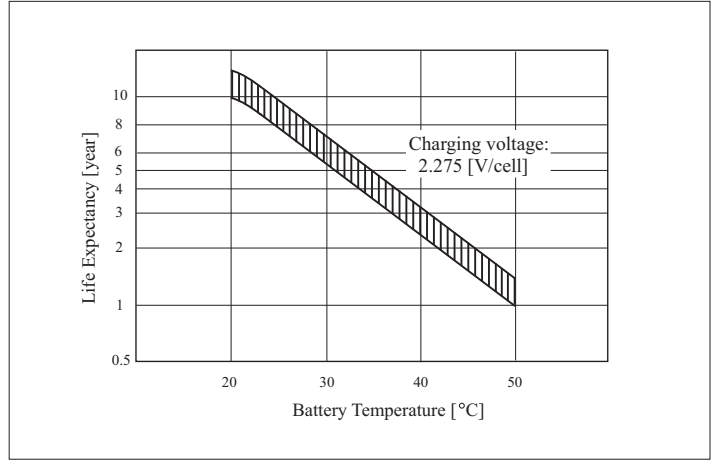


|                  |                     |                   |               |                |
|------------------|---------------------|-------------------|---------------|----------------|
| Mark             | Type                | Date of issue     | Change number | Date of change |
| <b>EUROPOWER</b> | <b>EPL 100-12FT</b> | <b>06.02.2007</b> | <b>0</b>      | <b>-</b>       |

## ● Battery charging characteristics



## ● Effect of temp. on long term float life



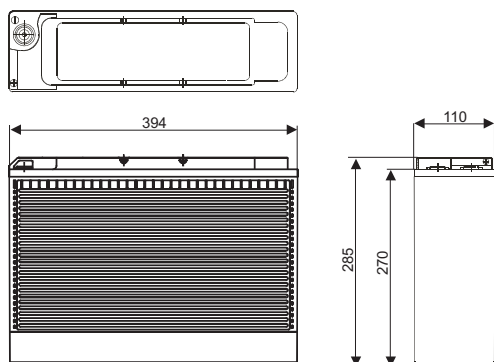
## ● Constant current discharge data (Current [A], 25 [°C])

| Final discharge voltage [V/cell] | Discharge time |      |      |      |      |      |       |       |      |      |      |      |       |  |
|----------------------------------|----------------|------|------|------|------|------|-------|-------|------|------|------|------|-------|--|
|                                  | 1 h            | 2 h  | 3 h  | 4 h  | 5 h  | 6 h  | 8 h   | 10 h  | 12 h | 20 h | 24 h | 72 h | 100 h |  |
| 1,90                             | 55,1           | 33,3 | 24,5 | 19,4 | 16,2 | 13,9 | 11,0  | 8,97  | 7,6  | 4,76 | 4,01 | 1,41 | 1,03  |  |
| 1,85                             | 61,3           | 36,6 | 26,8 | 21,2 | 17,6 | 15,2 | 11,9  | 9,75  | 8,26 | 5,18 | 4,37 | 1,54 | 1,12  |  |
| 1,80                             | 64,7           | 38,1 | 27,8 | 21,9 | 18,2 | 15,7 | 12,3  | 10,1  | 8,54 | 5,36 | 4,52 | 1,60 | 1,16  |  |
| 1,75                             | 66,3           | 38,8 | 28,2 | 22,3 | 18,5 | 15,9 | 12,5  | 10,15 | 8,65 | 5,45 | 4,59 | 1,63 | 1,19  |  |
| 1,70                             | 67,4           | 39,2 | 28,5 | 22,5 | 18,6 | 16,0 | 12,55 | 10,2  | 8,68 | 5,45 | 4,59 | 1,63 | 1,19  |  |
| 1,65                             | 68,3           | 39,5 | 28,7 | 22,6 | 18,7 | 16,1 | 12,6  | 10,22 | 8,68 | 5,45 | 4,59 | 1,63 | 1,19  |  |

## ● Constant power discharge data (Power [W/cell], 25 [°C])

| Final discharge voltage [V/cell] | Discharge time |        |        |        |       |       |       |       |       |       |      |      |      |  |
|----------------------------------|----------------|--------|--------|--------|-------|-------|-------|-------|-------|-------|------|------|------|--|
|                                  | 5 min          | 10 min | 15 min | 30 min | 1 h   | 2 h   | 3 h   | 5 h   | 8 h   | 10 h  | 12 h | 20 h | 24 h |  |
| 1,80                             | 126,75         | 75,23  | 55,40  | 43,82  | 36,37 | 31,45 | 24,58 | 20,20 | 17,08 | 10,73 | 9,04 | 3,20 | 2,33 |  |
| 1,75                             | 129,77         | 76,65  | 56,12  | 44,55  | 37,08 | 31,82 | 25,00 | 20,30 | 17,30 | 10,90 | 9,18 | 3,26 | 2,38 |  |
| 1,70                             | 131,92         | 77,38  | 56,67  | 44,92  | 37,27 | 32,00 | 25,10 | 20,40 | 17,36 | 10,90 | 9,18 | 3,26 | 2,38 |  |
| 1,65                             | 133,70         | 78,08  | 57,22  | 45,27  | 37,45 | 32,18 | 25,20 | 20,43 | 17,38 | 10,90 | 9,18 | 3,26 | 2,38 |  |

## ● Dimensions [mm]



## ● Terminal Type [mm]

