

MHB ML Series—Longer service life Battery

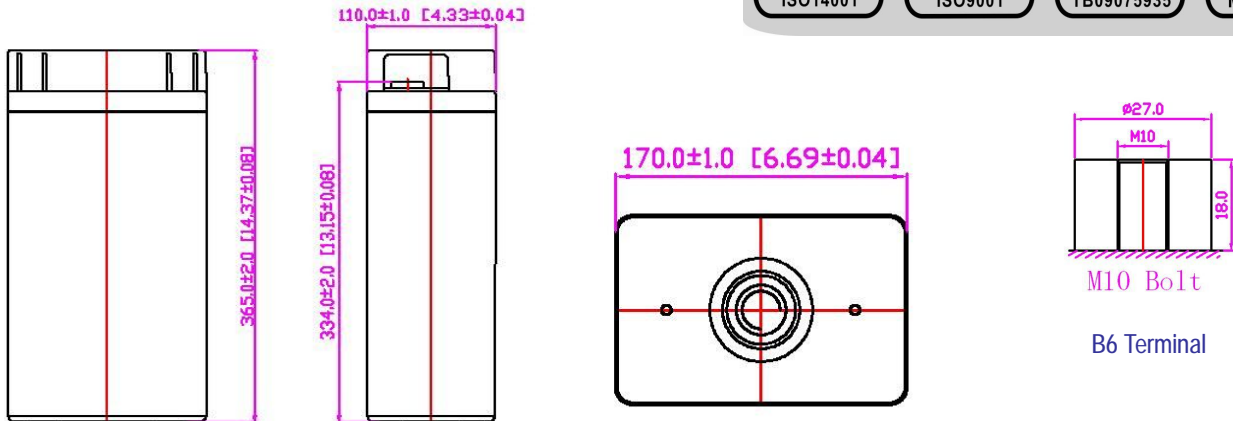
- High performance, completely maintenance-free, low self-discharge
- 100% precise quality testing, stable quality and high reliable performance
- Unique grid alloy formula and updated manufacturing technique
- Floating & standby use: up to 15 years
- Cycle use 1: Up to 260 cycles at 100% DOD
- Cycle use 2: Up to 1200 cycles at 30% DOD

Application:

- Telecommunications
- Uninterruptable Power Supply (UPS)
- Electric Power System (EPS)
- Emergency backup power supply
- Alarm and security system
- Communication power supply
- DC power supply
- Auto control system

Construction:

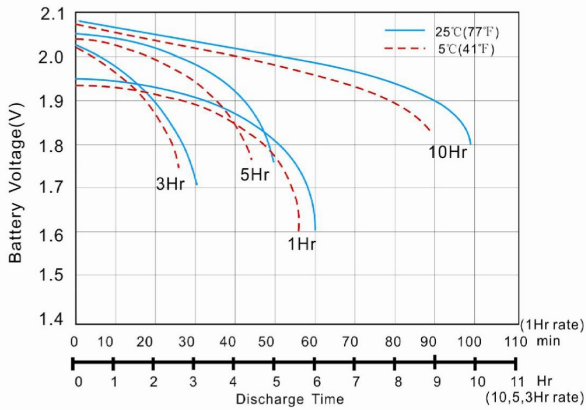
- ComponentRaw material
- PositiveLead dioxide
- NegativeLead
- ContainerABS
- CoverABS
- SealantEpoxy
- Safety valve Rubber
- TerminalCopper
- SeparatorFiber glass
- Electrolyte Sulfuric acid



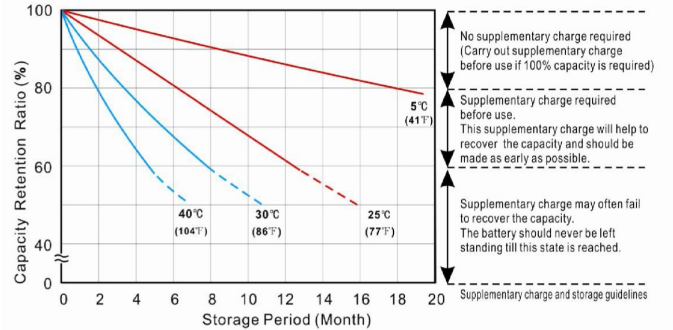
Specification:

| | | | | |
|----------------------------------|---|-------------------|------------------------|--------------------|
| Battery Model | ML200 -2 2V200AH | | | |
| Designed Floating Life | Up to 15 Years | | | |
| Capacity (25°C) | 10HR(20.0A,10.8V) | 5HR(33.32A,10.8V) | 3HR(49.32A,10.8V) | 1HR(105.32A,10.8V) |
| | 200.0AH | 166.6AH | 147.96AH | 105.32AH |
| Dimensions | Length | Width | Height | Total Height |
| | 170mm (6.69inch) | 110mm (4.33inch) | 334mm (13.15inch) | 365mm (14.37inch) |
| Approx. Weight | 14.10Kg (31.09 lbs) | | | |
| Internal Resistance | Full charged at 25°C: ≤0.65mΩ | | | |
| Self Discharge | 2% of capacity declined per month at (25°C) | | | |
| Capacity Affected by Temp.(20HR) | 40°C | 25°C | 0°C | -15°C |
| | 102% | 100% | 85% | 65% |
| Charge Voltage(25°C) | Cycle use | | Float use | |
| | 2.40-2.50V(-5mV/°C), max. Current:50.0A | | 2.25-2.30V (-3.0mV/°C) | |

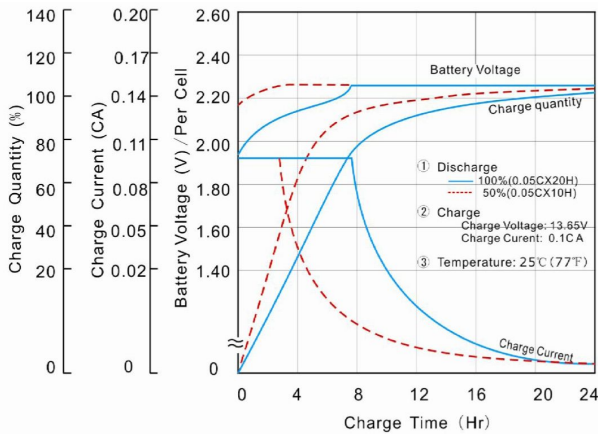
Terminal Voltage (V) and Discharge Time



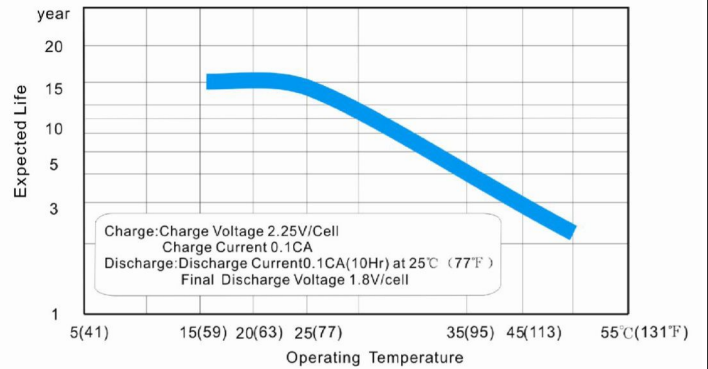
Capacity Retention Characteristic



Battery Voltage and Charge Time for Standby Use



Tickle(or Float) Service Life



Constant Current Discharge (CC, Unit: A) at 25°C (77°F)

| F.V/Time | 10Min | 15Min | 30Min | 1Hr | 2Hr | 3Hr | 4Hr | 5Hr | 6Hr | 8Hr | 10Hr | 20Hr |
|------------|--------|--------|--------|--------|-------|-------|-------|-------|-------|-------|-------|-------|
| 1.85V/Cell | 467.88 | 311.92 | 152.06 | 102.66 | 63.55 | 48.08 | 39.19 | 32.48 | 28.58 | 23.26 | 19.50 | 9.98 |
| 1.80V/Cell | 480.00 | 320.00 | 156.00 | 105.32 | 65.20 | 49.32 | 40.20 | 33.32 | 29.32 | 23.86 | 20.00 | 10.24 |
| 1.75V/Cell | 485.76 | 323.84 | 157.87 | 106.58 | 65.98 | 49.91 | 40.68 | 33.72 | 29.67 | 24.15 | 20.24 | 10.36 |
| 1.70V/Cell | 529.48 | 343.27 | 167.34 | 110.84 | 67.14 | 50.79 | 41.40 | 34.31 | 30.19 | 24.57 | 20.60 | 10.55 |
| 1.67V/Cell | 582.91 | 372.42 | 181.55 | 117.03 | 67.86 | 51.33 | 41.84 | 34.68 | 30.52 | 24.83 | 20.82 | 10.66 |

Constant Power Discharge (CP, Unit: W) at 25°C (77°F)

| F.V/Time | 10Min | 15Min | 30Min | 1Hr | 2Hr | 3Hr | 4Hr | 5Hr | 6Hr | 8Hr | 10Hr | 20Hr |
|------------|--------|-------|-------|-------|-------|-------|------|------|------|------|------|------|
| 1.85V/Cell | 912.4 | 608.2 | 296.5 | 200.2 | 123.9 | 93.7 | 76.4 | 63.3 | 55.7 | 45.4 | 38.0 | 19.5 |
| 1.80V/Cell | 936.0 | 624.0 | 304.2 | 205.4 | 127.1 | 96.2 | 78.4 | 65.0 | 57.2 | 46.5 | 39.0 | 20.0 |
| 1.75V/Cell | 947.2 | 631.5 | 307.9 | 207.8 | 128.7 | 97.3 | 79.3 | 65.8 | 57.9 | 47.1 | 39.5 | 20.2 |
| 1.70V/Cell | 1032.5 | 669.4 | 326.3 | 216.1 | 130.9 | 99.0 | 80.7 | 66.9 | 58.9 | 47.9 | 40.2 | 20.6 |
| 1.67V/Cell | 1136.7 | 726.2 | 354.0 | 228.2 | 132.3 | 100.1 | 81.6 | 67.6 | 59.5 | 48.4 | 40.6 | 20.8 |