



**Design Life
15 Years!**

EUROPOWER

Sealed lead-acid cells EXL type

EXL-300

● Characteristic

EUROPOWER cells are made in AGM technology, constructed by plates, separators, safety valves and container. Since the electrolyte is held by a glass-mat separator and plates, batteries can use in any direction without leakage.

Maintenance free operation, no need to fill in water.

EXL type cells have been designed for standby use, with **15 years** designed life.

● Specification & Characteristics

Model		EXL-300
Nominal voltage		2 [V]
Rated capacity		300 [Ah] / 10 [h]
Dimensions	Height	366 [mm]
	Length	171 [mm]
	Width	151 [mm]
Weight		~ 21 [kg]
Internal resistance		< 1 [m]
Capacity 25 [°C]	0 [h]	300 [Ah]
	5 [h]	240 [Ah]
	1 [h]	195 [Ah]
Max. Discharge current		1350 [A] (5 [s])
Charging voltage 25 [°C]	Standby use	2,23 [V/cell] (-3 [mV/°C/cell])
Recommended charging current		30 [A]
Max. Charging current		60 [A]

● Typical applications:

- DC telecom power supply systems,
- central offices,
- uninterruptible power supply (UPS),
- emergency lighting systems.

ENERGETICS

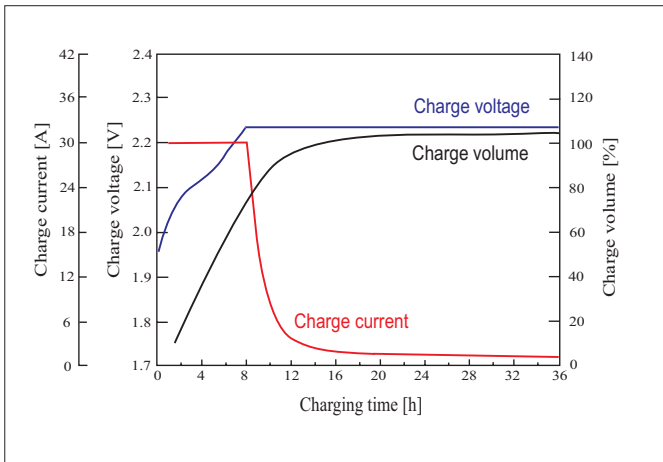
TELECOM

INDUSTRY

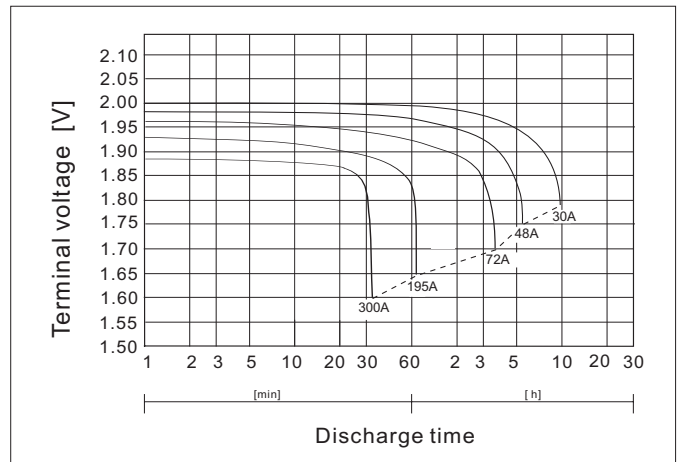


Mark	Type	Date of issue	Change number	Date of change
EUROPOWER	EXL-300	19.11.2004	0	-

● Battery charging characteristics



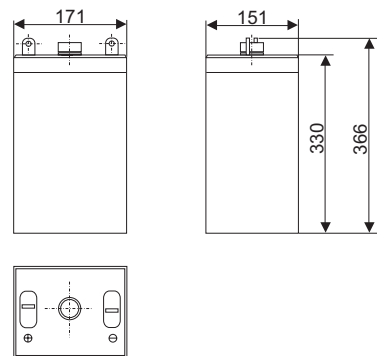
● Discharge characteristics



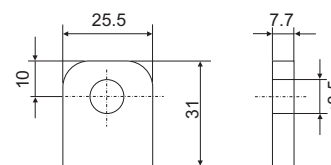
● Constant power discharge characteristics (Power [W/cell], 25 [°C])

Final discharge voltage [V/cell]	Discharge time										
	30 min	1 h	2 h	3 h	4 h	5 h	6 h	8 h	10 h	12 h	20 h
1,80	436	297	163	141,8	113,6	97,7	85	71,4	60,3	47,6	29,8
1,70	525	337	183	154	123,2	106,1	91,7	75,1	64,1	48,1	30,1
1,60	568	349	190	159,1	127,7	109,1	94,3	77	65,3	49	30,6

● Dimensions [mm]



● Terminal Type [mm]



[M8 Bolt + Nut]